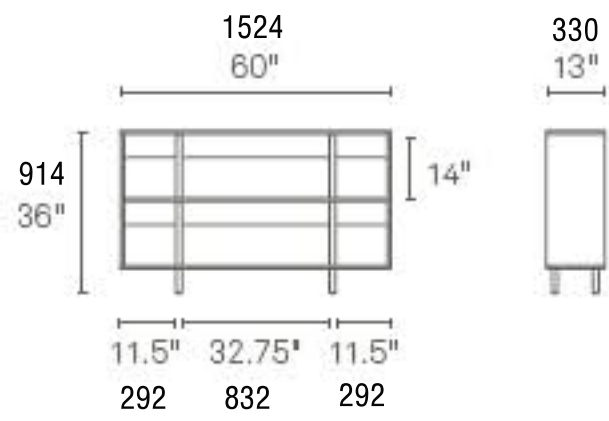


## CHICAGO LOW BOY

Sometimes, good design is about what's not there. The Chicago series takes advantage of negative space, creating smart, elegant storage. Available in maple, graphite-on-oak, and cherry. Legs are tubular steel, powder-coated in silver.



### CHICAGO LOW BOY

CH1-LOWKIT-MA

CH1-LOWKIT-GO

CH1-LOWKIT-CH

MAPLE

GRAPHITE-ON-OAK

CHERRY



MAPLE



GRAPHITE-  
ON-OAK



CHERRY